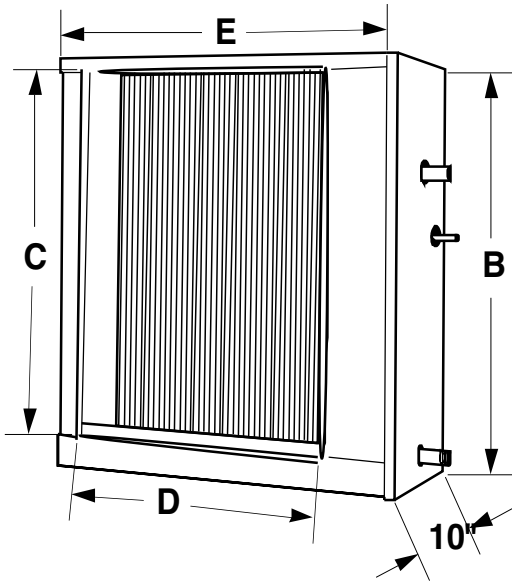


## DIMENSIONS AND SPECIFICATIONS

### Aspen Slab Horizontal Coils



#### GENERAL SPECIFICATIONS

- Standard refrigerant connections: liquid line - 3/8" ODS, suction line - 7/8" ODS.
- Two 3/4" MPT condensate drains.
- Powder-painted metal drain pan. Stainless available.
- Five-year warranty.
- Bi-directional airflow.
- Flowrater standard. Factory or field-installable TXV available.
- Every coil immersion-tested at 500 psi, then nitrogen-pressurized and sealed.
- Heavy gauge embossed galvanized cabinet fully lined with 1/2" faced insulation.
- Rifled copper tubing, enhanced aluminum fins.
- ARI certifiable with all brands of A/C and heat pump systems.
- ETL listed.

ASPEN MODEL NUMBER	HEIGHT	OPENING		LENGTH
	B	C	D	E
<i>High Horizontal</i>				
BHA** 24	23-1/2	21	16	21-1/2
BHA** 36	23-1/2	21	24	29-1/2
BHA** 48	23-1/2	21	29	34-1/2
BHA** 60	25	21	29	34-1/2
<i>Low Horizontal</i>				
BHL** 24	17	14-1/2	21-1/2	27
BHL** 36	17	14-1/2	21-1/2	27
BHL** 48	17	14-1/2	29	36
BHL** 60	21	18-1/2	29	36